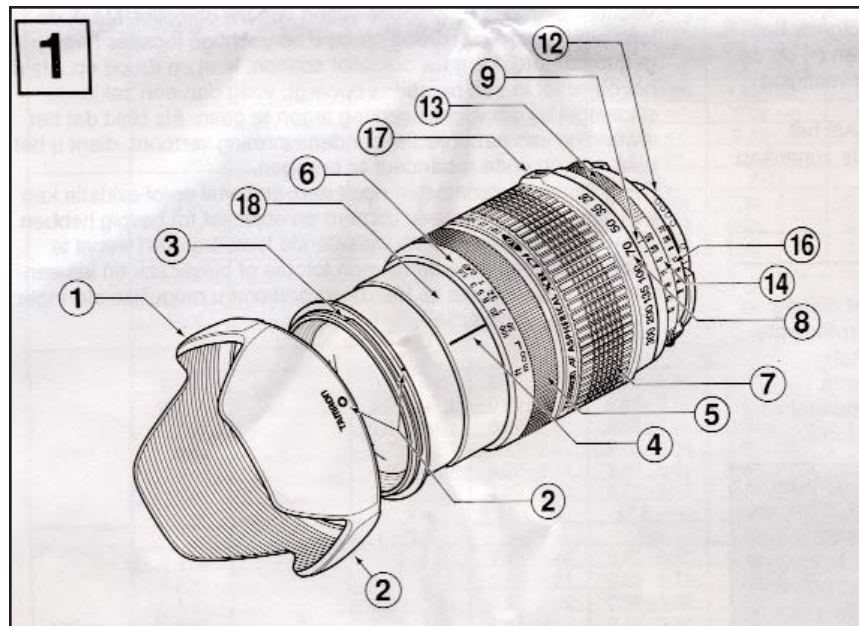


TAMRON®

AF28-300mm F/3.5-6.3 XR Di LD Aspherical [IF] Macro (Model A061)



Thank you for purchasing the Tamron lens as the latest addition to your photographic equipment. Before using your new lens, please read the contents of this Owner's Manual thoroughly to familiarize yourself with your lens and the proper photographing techniques for creating the highest quality images possible. With proper handling and care, your Tamron lens will give you many years of photographing beautiful and exciting pictures.



NOMENCLATURE (Refer to Fig. 1)

1. Lens hood
2. Hood attaching alignment mark
3. Hood attaching bayonet ring
4. Distance index
5. Focusing ring
6. Distance scale
7. Zoom ring
8. Focal length size
9. Zoom/aperture index mark
10. Lens attachment mark
11. AF-MF altering switch
12. Lens mount/Lens mount contacts
13. Aperture ring
14. F-number scale
15. AE lock button
16. F-number scale for finder display
17. Zoom ring lock switch
18. F-number index mark for long focal lengths

SPECIFICATIONS

FOCAL LENGTH	28 ~300 mm
MAXIMUM APERTURE	F/3.5-6.3
ANGLE OF VIEW	75 - 8 deg.
LENS CONSTRUCTION (GROUPS / ELEMENTS)	13/15
MINIMUM FOCUS DISTANCE	0.49 m
MAXIMUM MAGNIFICATION RATIO	1:2.9
FILTER SIZE	62 mm
LENGTH	83.7 mm
DIAMETER	73 mm
WEIGHT	420 g

ATTACHING LENS TO CAMERA

***How to mount the lens**

Removing the rear cap of the lens, align the lens attachment mark on the lens barrel with its counterpart on the lens mount of the camera and insert the lens mount into camera's mount opening. Rotate the lens clockwise until it click-locks.

***How to detach the lens**

Pressing the lens release button of the camera down, turn the lens counterclockwise (in case of Nikon lens, clockwise), and lift the lens off the camera's lens mount.

****For further details, please read the instruction manual of your camera.**

FOCUSING (Autofocus)

Set the camera on the autofocus mode (AF). Press the shutter button lightly while viewing through the camera's viewfinder, the lens focuses automatically. An in-focus mark will light when lens focuses on the main subject sharply. Press the shutter button further to photograph.

*When set on AF mode, be very careful not to hinder the autofocusing movements of the lens. Such interference may cause serious damage on the lens mechanism.

*Select between the autofocus and manual focus modes by the AF/MF switch on the camera in case of Nikon, Minolta, or Pentax lens. The lens for Canon cameras has an AF/MF mode selector switch on the lens barrel.

****For further details, please read the instruction manual that came with your camera.**

FOCUSING (Manual Focus)

*Switch the focusing mode switch of the camera to manual focusing mode (MF) in case of Nikon, Minolta or Pentax camera and in case of Canon, switch to MF on the AF-MF altering switch on the lens barrel. Focus by manually rotating the focusing ring while viewing through the camera's viewfinder. The main subject image in the viewfinder will be critically sharp on the viewfinder screen as the lens focuses correctly.

*Press the shutter button lightly while operating the lens for focusing. The focus aid mark in the viewfinder will light up when the subject is in critical focus.

*Make sure the subject at infinity appears sharp in the finder when in focus. You should do this for the reason that the infinity position on the lens is made to assure correct focus under a wide variety of photographing conditions.

****For further details, please read the instruction manual of your camera.**

*The minimum photographing distance of the A061 is constant at 0.49 m throughout the entire zoom range. There is therefore, no minimum distance scale on the lens barrel.

ZOOMING

*Rotate the zoom ring while viewing through the camera's viewfinder and compose your image with the correct focal length obtained.

ZOOM LOCK SWITCH

This lens is equipped with a newly developed zoom lock switch mechanism, which prevents the lens barrel from extending toward long focal lengths by their own weight, while hanging off the shoulder, or a chair for example. Activate the switch at 28mm setting to stop the lens barrel from rotating and extending.

How to activate the zoom lock switch mechanism:

1. **Locking:** Set the lens to the 28-mm position. Move the switch toward the camera, until the index lines align with each other. The lens barrel is now locked in position and does not rotate or extend by its own weight.

2. **Releasing:** Push the switch away from the camera. The lens barrel is now free to rotate and extend for zooming.

*The zoom lock switch can not be activated unless the lens is set to the 28-mm position. Do not force the lock switch or do not try to rotate the lens barrel while locked.

*The lens can be used at 28-mm setting for picture taking while lens barrel is locked by the switch.

*The zoom lock mechanism is made to prevent the lens barrel from extending while carried around. When not locked, the zoom lens may change its focal length during a long exposure if used while in a low or high angle position.

LENS APERTURE AND AE MODE

*Setting the lens f-numbers with Canon and Minolta cameras

Set the f-number with the aperture-setting device of the camera body in accordance with the selected photographing mode.

**For further details, please read the instruction manual of your camera.

*Setting lens f-numbers with Nikon and Pentax cameras

Photographing in a programmed-AE or a shutter-priority AE mode, rotate the lens aperture ring to the minimum aperture setting position, in case of a Nikon camera, and set on the "A" position in case of Pentax camera. The aperture ring will be locked in position automatically. When shooting in aperture priority-AE or manual exposure mode, release the lens aperture ring by rotating the ring from the AE lock position by depressing the Aperture ring lock button.

**The lens aperture varies with zooming movement. Cameras read the different lens openings and automatically adjust the exposure properly.

**For further details, please read the instruction manual of your camera.

LENS HOOD

A bayonet-type lens hood is provided as a standard accessory. We recommend shooting with the hood attached whenever possible as the lens hood eliminates stray light, which is harmful to the picture. However, please be aware of the precautions written below when your camera is equipped with a built-in flash.

*Attaching the lens hood

1. Align the index mark on the hood with the index mark on the lens. Place the hood onto the hood's attaching bayonet ring.

2. Turn the hood clockwise until it clicks. The index mark on the hood appears at the top when it is correctly attached.

* Pay particular attention to align the hood attaching indexes when using zoom lenses including wide angle setting. (Ex. 35mm or wider). Improper attachment for wide-angle zoom lenses may cause large shadowed areas in your pictures.

* Stowing the lens hood

1. Detach and reverse lens hood. Then align the index mark on the hood with the index mark on the lens. Place the hood onto the hood's attaching bayonet ring.

2. Turn the hood clockwise until it clicks. The index mark on the hood appears at the top when correctly stowed.

DEPTH OF FIELD

With a camera equipped with a depth of field preview button or an aperture stop-down mechanism, the depth of field can be directly observed on the viewfinder screen of your camera. For the operational details, please read the instruction manual of your camera.

** The optical design for A061 takes into consideration the various features of digital single reflex cameras. However, due to the configuration of the digital single reflex cameras, even when the autofocus accuracy is within specifications, the focal point may be a little forward or behind the optimum point when shooting with autofocus under some conditions.

PRECAUTIONS IN SHOOTING

* The Tamron lens employs an internal focusing system to achieve a remarkable minimum photographing distance of 0.4 to 0.49 meter (1.31 to 1.61 ft). Because of the characteristics of this optical design, the angles of view at distances other than infinity are wider than that of lenses applying an ordinary focusing system.

- * When the built-in flash on the camera is used, adverse photographic phenomena such as corner illumination fall-off or vignetting at the bottom part of the image may be observed. This is due to the inherent illumination of the coverage of the built-in flash, and/or the relative position of the flash to the edge of the lens barrel which causes shadows on image. It is strongly recommended to use a suitable separate flash unit provided by the camera manufacturer for all flash photography.
- * When using the lens in a telephoto focal range, it may be necessary to use a tripod to avoid camera shake. Using high speed film (ISO 400 or faster) with a fast shutter speed is also helpful to reduce the influence of camera shake.
- * Do not forcibly turn the focusing ring when the lens is set in AF mode. Doing so could damage the lens and/or camera.
- * Certain camera models may indicate the maximum and minimum aperture values of the lens as approximate numbers. This is inherent to the design of the camera and not an indication of error.
- * Please be aware that there is no infrared index line on any models listed in this owner's manual. Therefore practically no black and white infrared film can be used on this lens.

TO ENSURE LONG-TERM SATISFACTION

- * Avoid touching the glass element surface. Use a photographic lens cloth or blower to remove dust from the lens element surface. When not using the lens, always place a lens cap on it for protection.
- * Use a lens cleaning tissue or lint cloth with a drop of cleaning solution to remove fingerprints or dirt on the glass lens surface with a rotary motion from the center to the edge. Use a silicon cloth to clean your lens barrel only.
- * Clean the lens barrel with a silicon cloth. Do not use benzene or paint thinner or other organic cleansers.
- * Mildew is an enemy of your lens. Clean the lens after shooting near water or in any humid place. Store your lens in a clean, cool and dry place. When storing the lens in a lens case, store it with commercially available drying agent such as silica gel, and change the agent occasionally. If you find mildew on your lens, consult an authorized repair shop or nearby photographic store.
- * Do not touch the lens-camera mount contacts since dust and/or dirt stains may cause a contact failure between the lens and camera.
- * When using your equipment in an environment where the temperature changes from one extreme to the other, make sure to put your equipment temporarily in a case or plastic bag for a length of time in order to go through a gradual temperature shift. This will reduce potential equipment trouble.

TAMRON USA, INC.
10 AUSTIN BLVD.
COMMACK, NY 11725